



# STUD EXTRACTOR SET

MODEL NO: VS7233.V2

Thank you for purchasing a Sealey product. Manufactured to a high standard, this product will, if used according to these instructions, and properly maintained, give you years of trouble free performance.

**IMPORTANT:** PLEASE READ THESE INSTRUCTIONS CAREFULLY. NOTE THE SAFE OPERATIONAL REQUIREMENTS, WARNINGS & CAUTIONS. USE THE PRODUCT CORRECTLY AND WITH CARE FOR THE PURPOSE FOR WHICH IT IS INTENDED. FAILURE TO DO SO MAY CAUSE DAMAGE AND/OR PERSONAL INJURY AND WILL INVALIDATE THE WARRANTY. KEEP THESE INSTRUCTIONS SAFE FOR FUTURE USE.



Refer to instruction manual



Wear protective gloves



Wear eye protection

## 1. SAFETY

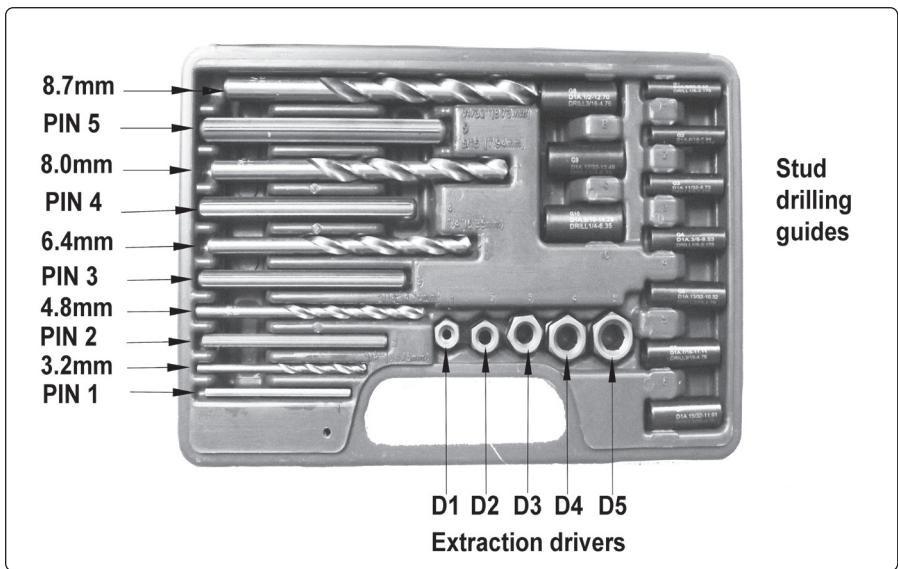
- ✘ **DO NOT** use the stud extractor set for any purpose other than for which it is designed.
- ✓ Keep the kit free from dirt and grime.
- ✓ Ensure your work area is tidy and free from hazards.
- ✓ Ensure the correct sizes of guide and drill are used to avoid injury and damage to the set.
- ☐ **WARNING:** The warnings, cautions and instructions discussed in this instruction manual cannot cover all possible conditions and situations that may occur. It must be understood that common sense and caution are factors which cannot be built into this product, but must be applied by the operator.

## 2. INTRODUCTION

Suitable for the removal of broken studs and bolts. Supplied with centring pilots for Ø4.75-9.5mm studs, drills, extractor shafts and nuts. Ideal for engine manifold studs.

## 3. CONTENTS

Drill Bits: 3.2, 4.8, 6.4, 8, 8.7mm (Stud Range - 4.75 - 9.5mm)



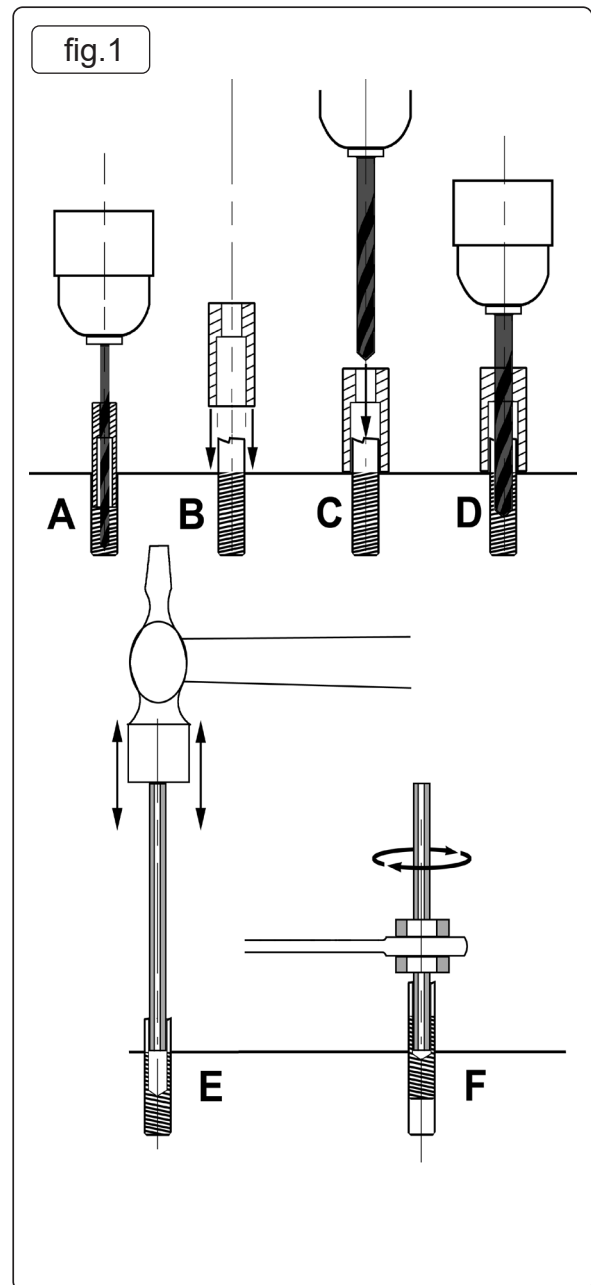
## 4. SIZE GUIDE CHART

Stud size	4.0	4.75	4.75	4.75	6.1	7.2	7.2	7.2	9.0	9.75	12	15
Guide size	B1	B2	B3	B4	B5	B6	B7	B8	B9	B10	-	-
Guide ext. Ø	6.0	8.0	9.0	10.0	10.0	11.0	12.0	13.0	13.0	14.0	-	-
Drill to use	3.2	3.2	3.2	3.2	4.8	4.8	4.8	4.8	6.4	6.4	8.0	8.7
Pin to use	PIN 1	PIN 1	PIN 1	PIN 1	PIN 2	PIN 2	PIN 2	PIN 2	PIN 3	PIN 3	PIN 4	PIN 5
Hex extractor	D1	D1	D1	D1	D2	D2	D2	D2	D3	D3	D4	D5

## 5. OPERATION

- 5.1. Obtain a replacement for the broken stud or bolt first so that you know how deep to drill the pilot hole.
- 5.2. Use the size guide chart overleaf to select the correct combination of drilling guide, pin and hex driver. Where a stud or bolt has sheared below the insertion surface select the largest drilling guide that fits into the hole as shown in fig.1A.
- 5.3. Where a stud or bolt has sheared above the insertion surface select a drilling guide that fits closely over the stud as shown in fig.1.B and C.
- 5.4. With the drilling guide in place, drill a hole into the stud into which the extraction pin can be hammered as shown in fig.1.D and E. Depending on the size of the stud it may be necessary to drill a smaller pilot hole first which can then be enlarged to accept the extraction pin.
- 5.5. After drilling the stud, remove the drilling guide and clean away any particles of metal left behind.
- 5.6. Tap the extraction pin into the hole in the stud as shown in fig.1.E.
- 5.7. Place the correct hexagonal driver over the extraction pin as shown in fig.1.F. Apply a spanner to the hex driver to remove the bolt/stud.
- 5.8. Pins 4 and 5 are for the removal of larger studs and have no matching drilling guides.

**NOTE:** In some cases where accessibility is an issue it may be necessary to remove a component such as a cylinder head from a vehicle.



Parts support is available for this product. please log on to  
[www.sealey.co.uk](http://www.sealey.co.uk), email [sales@sealey.co.uk](mailto:sales@sealey.co.uk) or telephone 01284 757500



### ENVIRONMENT PROTECTION

Recycle unwanted materials instead of disposing of them as waste. All tools, accessories and packaging should be sorted, taken to a recycling centre and disposed of in a manner which is compatible with the environment. When the product becomes completely unserviceable and requires disposal, drain any fluids (if applicable) into approved containers and dispose of the product and fluids according to local regulations.



**Note:** It is our policy to continually improve products and as such we reserve the right to alter data, specifications and component parts without prior notice.

**Important:** No Liability is accepted for incorrect use of this product.

**Warranty:** 24 month guarantee. Proof of which is required for any claim.

Jack Sealey Ltd t/a Sealey Group Kempson Way, Suffolk Business Park, Bury St Edmunds, Suffolk, IP32 7AR UK

Jack Sealey (EU) Ltd t/a Sealey Group Farnley Street, Carrickmacross, Co. Monaghan, A81 PK68 Ireland

Tel: 01284 757500 • Email: [sales@sealey.co.uk](mailto:sales@sealey.co.uk) • Web: [www.sealey.co.uk](http://www.sealey.co.uk)